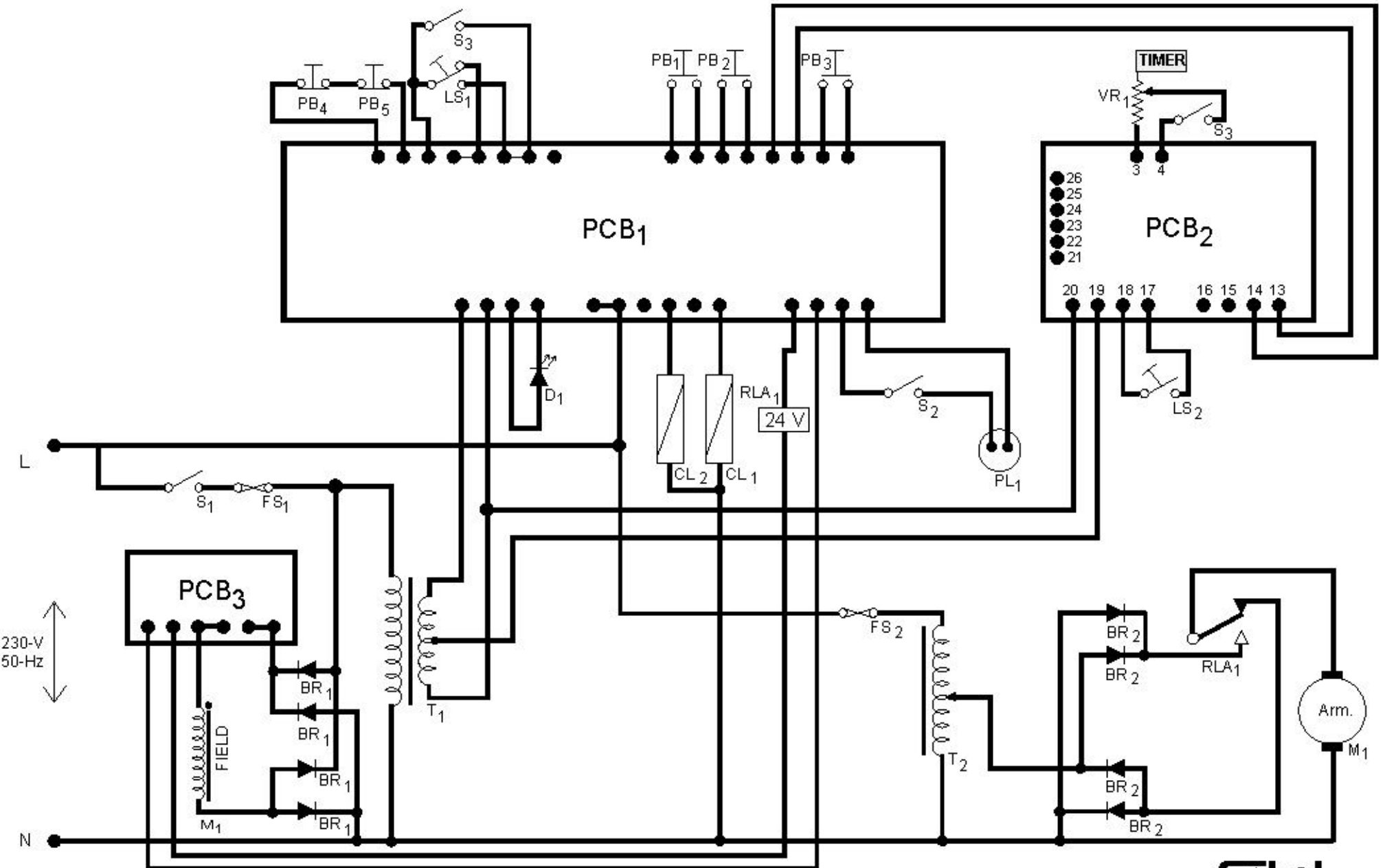


CIRCUIT DIAGRAM OF WELDING POSITIONER



SOHAL WELDING POSITIONER

COMPONENT	VALUE [CODE]
BR ₁	10-Amp. 1000-V [MIC BR 1010]
BR ₂	25-Amp. 1200-V [UR MB 25-12]
S ₁ & S ₂	SPST 10-Amp.
S ₃	DPST 10-Amp.
LS ₁ & LS ₂	[BCH LL ₁]
PB ₁ to PB ₅	[BCH KA 411]
RLA ₁	25-Amp. C/O, COIL- 24D
VR ₁	100K Lin.
FS ₁	2 Amp.
FS ₂	10 Amp.
T ₁	230 / 12- 0 - 12 V
T ₂	Variable Auto Trans. 230-V 10-Amp.
D ₁	Ultra Bright Red LED
CL ₁ & CL ₂	230-V AC (Solenoid Valve Coil)
M ₁	SHUNT Wound DC 220-V, 1 HP. Motor
PCB ₁	[Sohal - 39B]
PCB ₂	[Sohal - 2B]
PCB ₃	[Sohal - 24A]
PL ₁	[Lunar - 2 Pin Plug]